



DR-3 Semi-Automated 3 kg Roaster

Hourly Capacity

Up to approx. 26.4 lbs (12 kg)

Based on 4 roasts per hour

Standard Equipment Dimensions

54 x 39 x 68.5 in; 1372 x 991 x 1740 mm

(Overall Dimensions May Vary with Optional Items)

Technical Specifications

Natural Gas or Liquid Propane

110V - 230V / 50 or 60 Hz Single Phase

The DR-3 is designed to roast
approx. 6.6 lbs (3 kg) of green coffee per batch.

EXPERIENCE THE DIEDRICH DIFFERENCE

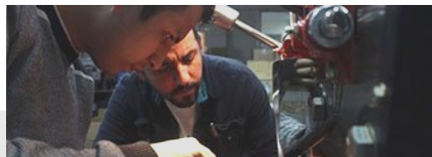
Helping Roast Masters Craft The Best Tasting Coffee Worldwide.

- Crafted with solid carbon steel drums to distribute heat evenly.
- Diedrich uses finely-tuned infrared burners.
- Clean and efficient. Designed to prevent exhaust back flow.
- Log and store roasting data profiles via third party software.
- Ability to view roast profile data and control the roaster from any wireless device that supports third party software.
- Comprehensive Roasting Training offered at our state of the art facility in Chicago.



Handcrafted In The USA

Repeatable Roasts for small and large batches. We've gone out of our way to engineer, design, and develop high-quality roasters to help you craft the perfect roast with every batch.



Exceptional Customer Support

We provide exceptional customer service and support focusing on installation, maintenance, & technical guidance.

Technical Support Hotline

+1.844.343.3742

M-F 7AM-3:30PM PT



Hands On Roaster Training

We are equipped to guide you through a comprehensive collection of topics ranging from foundation, to professional, to food safety. The courses are designed and created by the SCA as part of the Coffee Skills Program. All courses are conducted by certified AST instructors.



USA Headquarters 1.844.343.3742
www.DiedrichRoasters.com

Marketing & Education
1.888.444.0630 Chicago, IL USA



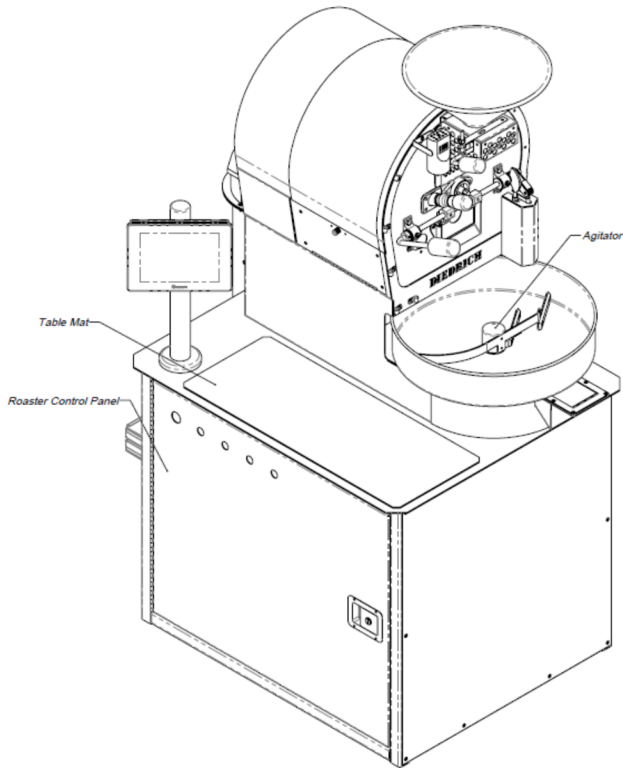


DR-3

3 kg Roaster

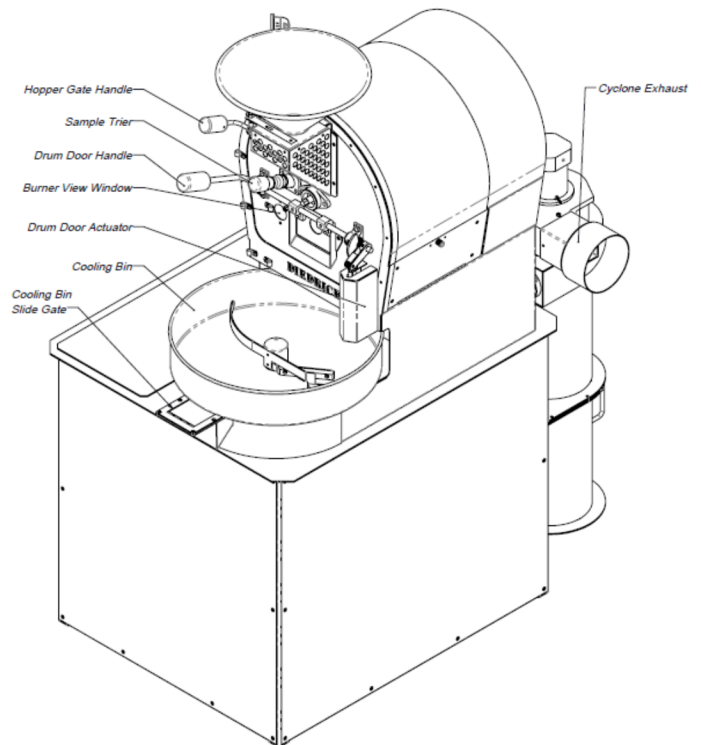
Up to 26.4 lbs / hr
 Batch size is approx.
 3 kg / 6.6 lbs
 of green coffee.

General Information		
Green coffee capacity, min-max	2.2 – 6.6 lbs	1 – 3 kg
Dimensions, maximum L x W x H	54 x 39 x 68.5 in	1372 x 991 x 1740 mm
Recommended space, minimum L x W x H	120x 105 x 87 in	3.045 x 2.654 x 2.210 m
Gas Information		
Gas Types (Ordered gas specific)	Natural Gas / Liquid Propane	
Inlet Pressure LP	12 – 14 inches WC	30-35 mbar
Inlet Pressure NG	8 – 14 inches WC	20-35 mbar
Inlet gas supply connection	1/2 Inch Female NPT	
Electrical Information		
Volts AC	110 V	230V



Front Left - Isometric View

Scale 1:8



Front Right - Isometric View

Scale 1:8



USA Headquarters 1.844.343.3742
www.DiedrichRoasters.com

Technical Support Hotline
 +1.844.343.3742
 M-F 7AM-3:30PM PT

Marketing & Education
 1.888.444.0630 Chicago, IL USA

